

# LED Batten



**SIPL**

## Application

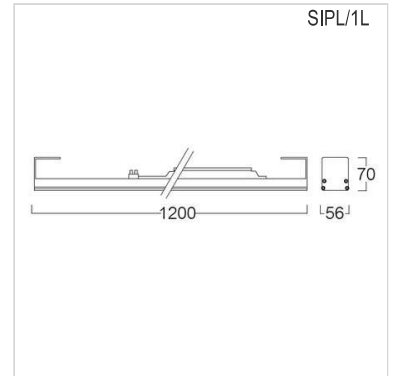
This luminaire is designed to use for convenience stores, discount stores, modern trade stores, factories, schools, storage areas, hospitals, hotels, shopping centers, corridors, industrial areas, car parks, etc.

## Specification

<b>Housing</b>	Extruded aluminium
<b>Finishing</b>	Anodized aluminium
<b>Diffuser</b>	Excellent transmission opal acrylic
<b>Mounting</b>	Surface or suspension
<b>Power</b>	26/34/39/46W
<b>Light Source</b>	LED Module
<b>Colour Temperature</b>	3000/4000/6500K
<b>Luminaire Output</b>	26W : 3640 lm 34W : 4460 lm 39W : 5100 lm 46W : 5780 lm
<b>Control Gear</b>	Built-in driver
<b>Power Supply</b>	220-240VAC, 50Hz
<b>Power Factor</b>	>0.9
<b>Insulation Class</b>	I
<b>IP Rating</b>	20
<b>Luminaire Lifetime</b>	30,000 hrs

## Ordering Data

Model	Watt
SIPL/1L-26LED	26W
SIPL/1L-34LED	34W
SIPL/1L-39LED	39W
SIPL/1L-46LED	46W



## Related Products



LED Strip Module

